

K10 Series
GUIDE BOOK



K10 Series

The completion of the ergonomic design, K10

K10 is ergonomically designed to satisfy various postures and body conditions of various users regardless of region, climate, race and culture. Also, the various functions contained in various parts of K10 minimize the fatigue of neck, waist and knees that the users could feel during long time sitting.

INDEX

Function	5
K10	
Material & Variation	6
Color Chart	7
K10M	
Material & Variation	8
Color Chart	9
Assembly Guide	10
User Guide	12

K10 Series



K10 has the most advanced functions such as adjustable headrest with spring tension, 4D armrests, lumbar support, depth adjustable seatrest, etc., to maximize the users' working efficiency.

K10M Series



All mesh chair, **K10M** offers a pleasant and airy experience while seating

ADJUSTABLE HEADREST

- 7 steps height adjustment
- Tilting



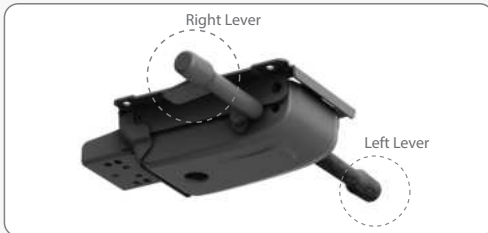
ADJUSTABLE LUMBAR SUPPORT

- Height & depth adjustment



SYNCHRONIZED MECHANISM

- 4 steps angle adjustment (Left lever)
- 3 steps tilting tension adjustment (Right lever)
- Height adjustment (Right lever)



4D ARMRESTS

- Height (70mm)
- Width
- Sideways
- Forward / Backward



ADJUSTABLE SEAT

- Seat depth adjustment (60mm)



*** MESH SEAT(K10M)**

K10M mesh seat is designed to put even pressure on and comfortably support hips and legs. In addition, the depth of seat is adjustable.



K10

TASK CHAIR
MESH BACK TYPE



K10A



K10B



K10A-BS



K10B-BS

	K10A	K10B	K10A-BS	K10B-BS
HEADREST - PA + GF30 frame - PU leather upholstered urethane foam.	•		•	
BACKREST - PA + GF30 frame - PE mesh upholstery	•	•	•	•
ARMREST - PA+30GF frame - PU foam pad	•	•	•	•
LUMBAR SUPPORT - PA frame - PU foam pad	•	•	•	•
SEAT - PP + GF30 frame - Fabric upholstered urethane foam	•	•	•	•
GAS CYLINDER - Optional stroke : 70mm / 110mm - Class 4	•	•	•	•
BASE , CASTER - 350 nylon base - 60mm PU caster	•	•	•	•
DIMENSION	W720 x D580 x H1190	W720 x D580 x H1015	W720 x D580 x H1190	W720 x D580 x H1015

K10

TASK CHAIR
MESH BACK
FOAM SEAT



HEADREST

Artificial Leather



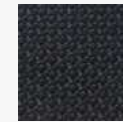
BLACK
DL001-38



L GRAY
DL001-05

BACKREST MESH

VERONA series



BLACK
VE-00



L. GRAY
VE-53

SEAT FABRIC

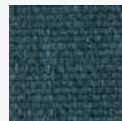
HY19 series



BLACK
HY193B



GRAY
HY192



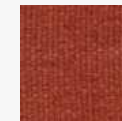
BLUE
HY190



SKY BLUE
HY5028



GREEN
HY194



RED
HY191



BEIGE
HY5016

Printed color could be different with the actual fabric color. Please check the actual swatch sample. .

K10MTASK CHAIR
ALL MESH CHAIR

K10A-QW



K10B-QW



K10A-QW-BS



K10B-QW-BS

HEADREST - PA + GF30 frame - PU leather upholstered urethane foam.	•		•	
BACKREST - PA + GF30 frame - PE mesh upholstery	•	•	•	•
ARMREST - PA+30GF frame - PU foam pad	•	•	•	•
LUMBAR SUPPORT - PA frame - PU foam pad	•	•	•	•
SEAT - PP + GF30 frame - High elastic mesh upholstered	•	•	•	•
GAS CYLINDER - Optional stroke : 70mm / 110mm - Class 4	•	•	•	•
BASE , CASTER - 350 nylon base - 60mm PU caster	•	•	•	•
DIMENSION	W720 x D580 x H1190	W720 x D580 x H1015	W720 x D580 x H1190	W720 x D580 x H1015

K10M

TASK CHAIR
ALL MESH CHAIR



HEADREST

Artificial Leather



BLACK
DL001-38



L GRAY
DL001-05

BACKREST / SEAT MESH

HELLOT series



CHARCOAL
HE-S00



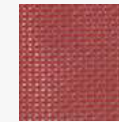
MINERAL
HE-S02



LEAF GREEN
HE-S59



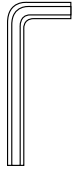
DUSTY BLUE
HE-S48



SAMBA RED
HE-S46

Printed color could be different with the actual fabric color. Please check the actual swatch sample. .

Headrest Parts



A
Allen Wrench (small)



B
M6x15 (2)



C
Headrest Cap

Backrest Parts



D
M8x20 (3)

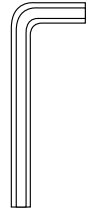


E
M8x13x2 (3)

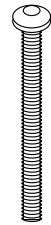


F
M8x20x2 (3)

Armrest Parts



G
Allen Wrench



H
M6x55 (4)

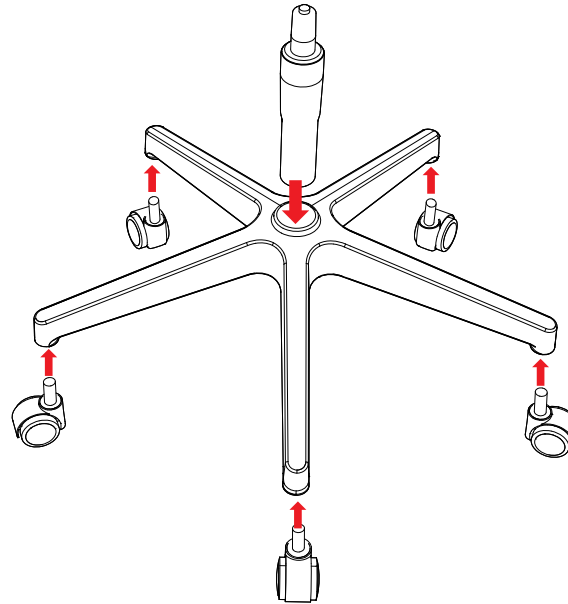


J
M6x16x2 (4)

step 01

Base and Gas Cylinder Assembly

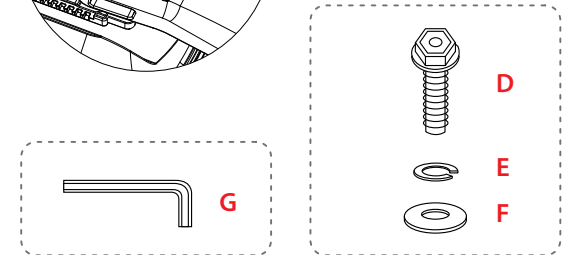
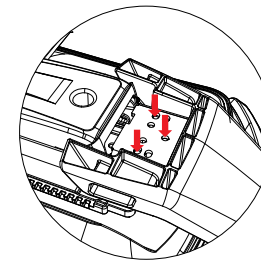
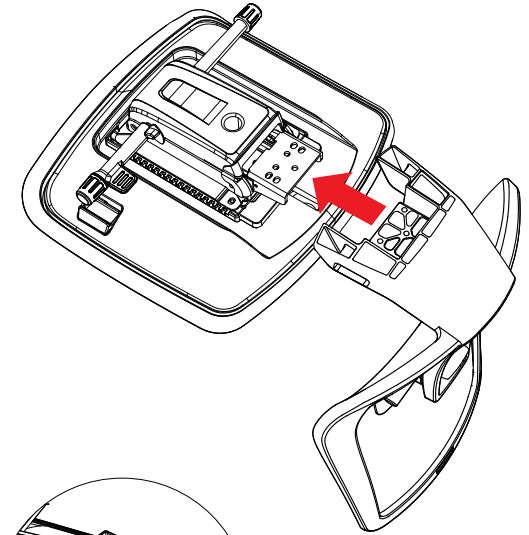
Put gas cylinder onto the base.



Assemble casters onto the base.

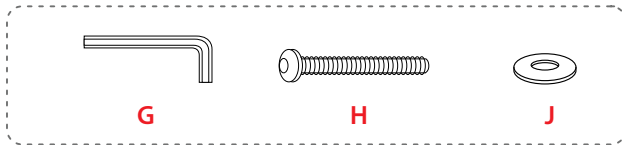
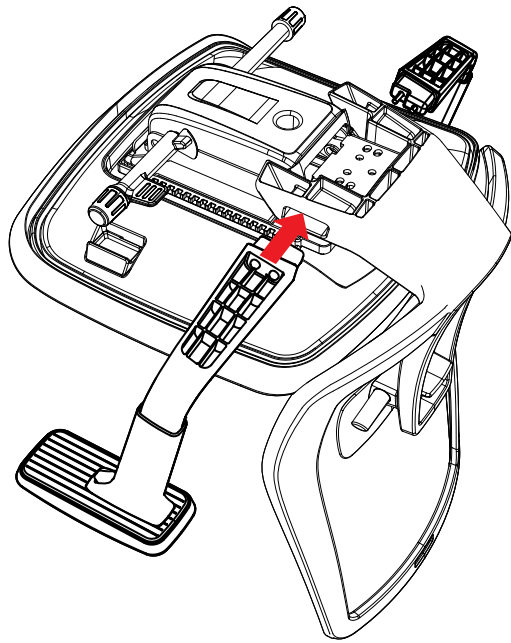
step 02

Backrest and Seat Assembly



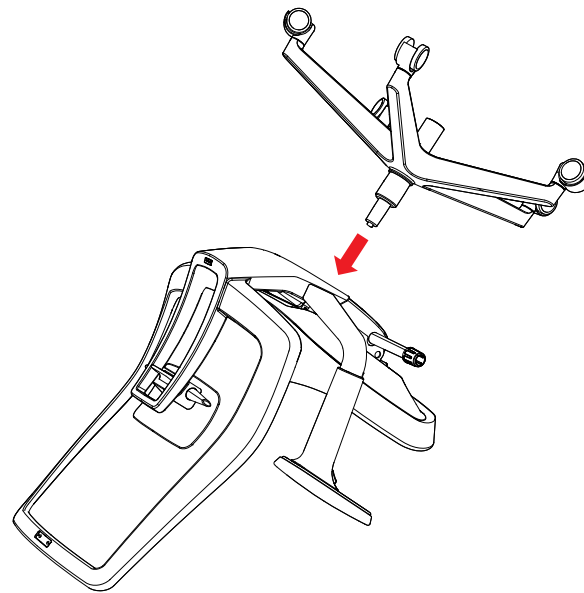
Tighten bolt (D→E→F) using a wrench (G).

step 03
Armrest Assembly



Tighten bolts (H) using a wrench (G).

step 04
Base and Body Assembly

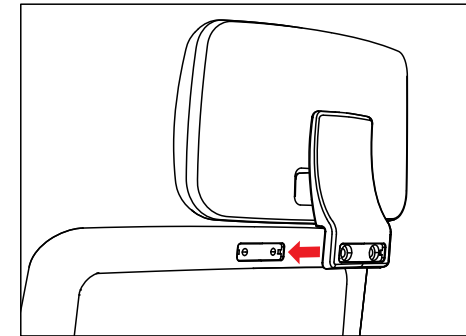


Complete the assembly of the seat and armrests and then connect with gas cylinder by putting it into the hole of tilt mechanism underneath the seat.

Assembly following as above image is recommended.

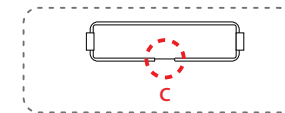
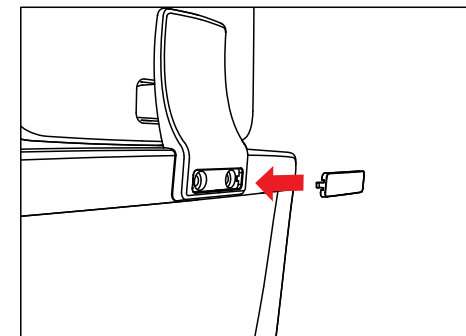
When the base is assembled, cautiously stand the chair upright.

step 05
Headrest Assembly **



Assemble the headrest and backrest using bolts. Tighten bolts(B) using a wrench(A).

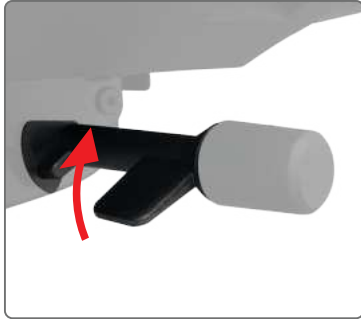
** This only applies to the headrest type models.



Insert headrest cap while hole on the cap heading downward.

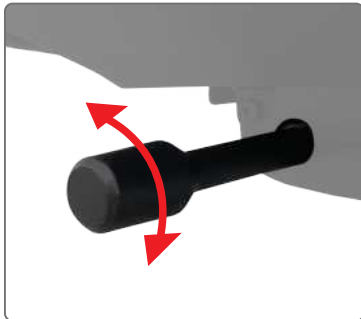
Synchronized Tilt Mechanism

Height Adjustment



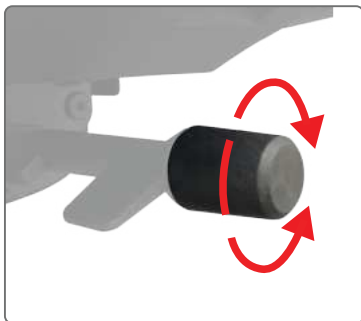
Push up the flat lever on your right side to adjust the height. If you adjust the lever while standing, the seat goes up and the seat goes down while sitting.

Angle Adjustment



Lock to the preferred backrest angle by simply rotating the lever on your left side counterclockwise. To unlock the angle, rotate the lever clockwise and slightly push the backrest backward. (Anti-shock function)

Tilting Tension Adjustment



Adjust the tilting tension by simply rotating the lever on your right side. To make strong tension, please rotate the lever clockwise. To make soft tension, please rotate the lever counterclockwise.

Headrest

Height Adjustment



Adjust the height by sliding the headrest up and down. Elastic tilting will add more comfort to this adjustable feature.

Seat

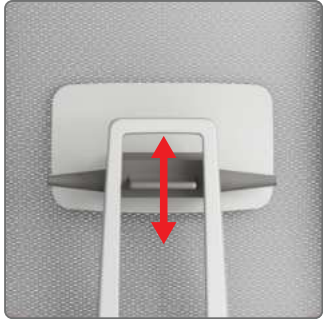
Depth Adjustment



Adjust the seat depth by pulling the lever underneath your right-side seat. While pulling the lever, you can slide the seat forward to make it deep. To return to the original position, slightly stand up and pull the lever again.

Lumbar Support

Height Adjustment



Adjust the height by putting the lever up and down.

Depth Adjustment



Adjust the depth by rotating the lever.

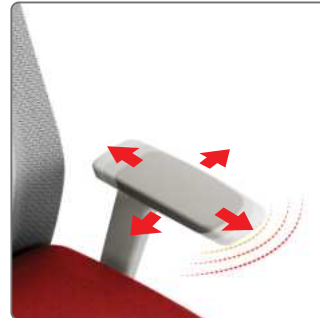
Armrest_ 4D

Height Adjustment



Adjust the height while pushing the buttons underneath the arm pad.

Width / Sideways / Forward&Backward



Adjust the position of armrests in additional 3 ways without pushing buttons.

Warning

01. Do not use the chair for the purpose other than it originally meant to be.
02. Please be advised that the warranted weight capacity of the chair is 113kgs or less.
03. If you put excessive impact on the chair while tilted, it may be damaged.
04. Leaning on unfolded chair from behind could fold the chair and lead to injuries.
05. Do not press the backrest while someone is seated on the chair.
06. Do not push the chair when someone is seated.
07. Please do not use each chair more than two person.
08. Take care to avoid inserting your feet into the spaces of the seat.
09. Excessive weight may result in overturn and cause damage.
10. Do not put or insert your finger in to any part of the chair.
11. Do not put your finger into the gap of the chair.
12. Avoid using the product while front of the seat is lifted.
13. When seating, please do not tilt your body left/right excessively.
14. Do not use the chair for exercise such as push-ups.
15. Do not throw the chair.
16. Do not kick the chair.
17. Do not walk across the chairs.
18. Please get full knowledge for usage of the chair beforehand for more proper use.
19. We do not apply any warranty for any possible injuries, dangers and damages caused by neglect of the above warnings.

CERTIFICATIONS



krede

#803, 171, Gasan digital 1-ro, Geumcheon-gu, Seoul, Republic of Korea
T 82 2 6254 5432
F 82 2 6254 5433
sales@krede.co.kr

www.krede.co.kr